

Engineering Specification: T&C Plastics XL Series Model GI-XL-100 HDPE hydro mechanical grease interceptor with flow rating of 100 GPM and grease holding capacity of 2,016 lbs. Interceptor has a limited lifetime warranty and is made in the USA out of seamless, rotationally molded High Density Polyethylene with 3/8" uniform wall thickness. Interceptor is designed for above or below ground installation and includes extension pipe gasket for ADS 18N12 (pipe not included) for the adjustable lid system, sample port access, internal baffle, deep seal trap covered by lid, internal flow control set to 100 GPM and 4" no hub inlet and outlet connections. Ductile iron pick-able lids, H-20 rated, proof-load tested to 40,000 lbs. provide a water / gas tight seal. The lids are designed in accordance with the loading requirements of AASHTO H-20. The interceptor is tested and certified to the ASME A112.14.3 Standard (Type D), CSA B481 and listed with I.A.P.M.O. For indoor / outdoor use. The -PDI model is tested and certified to the PDI G-101 Standard.

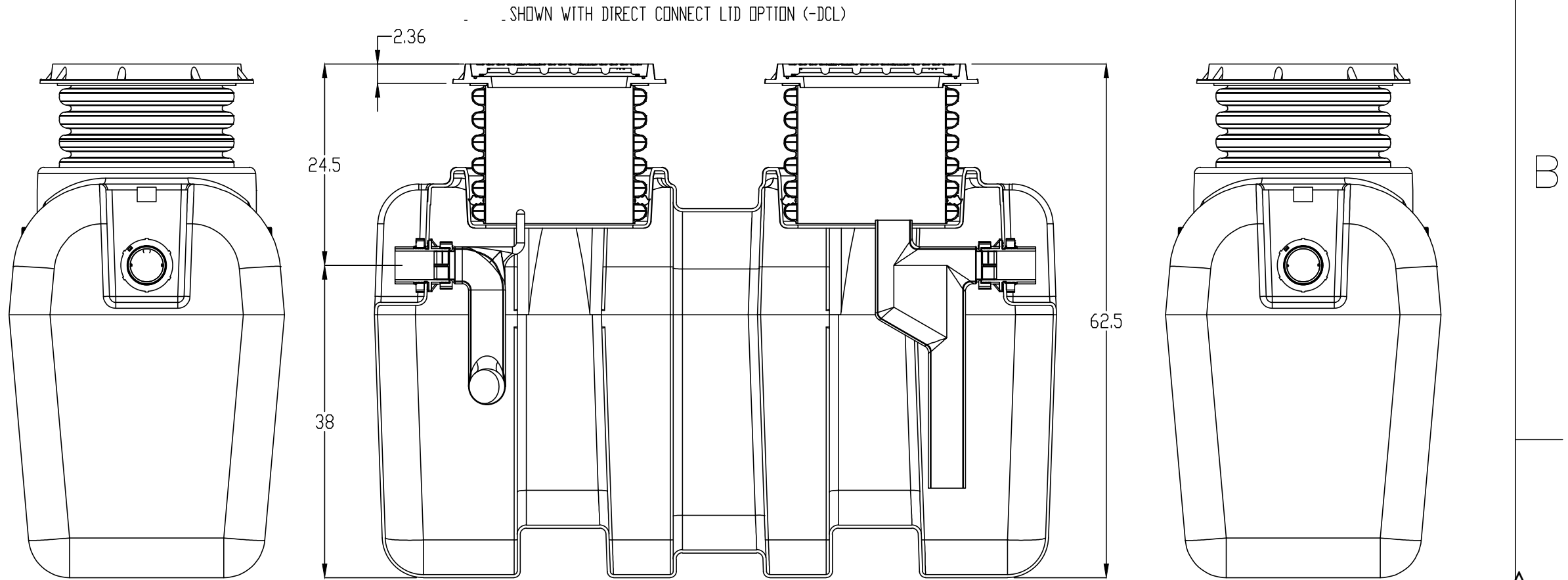
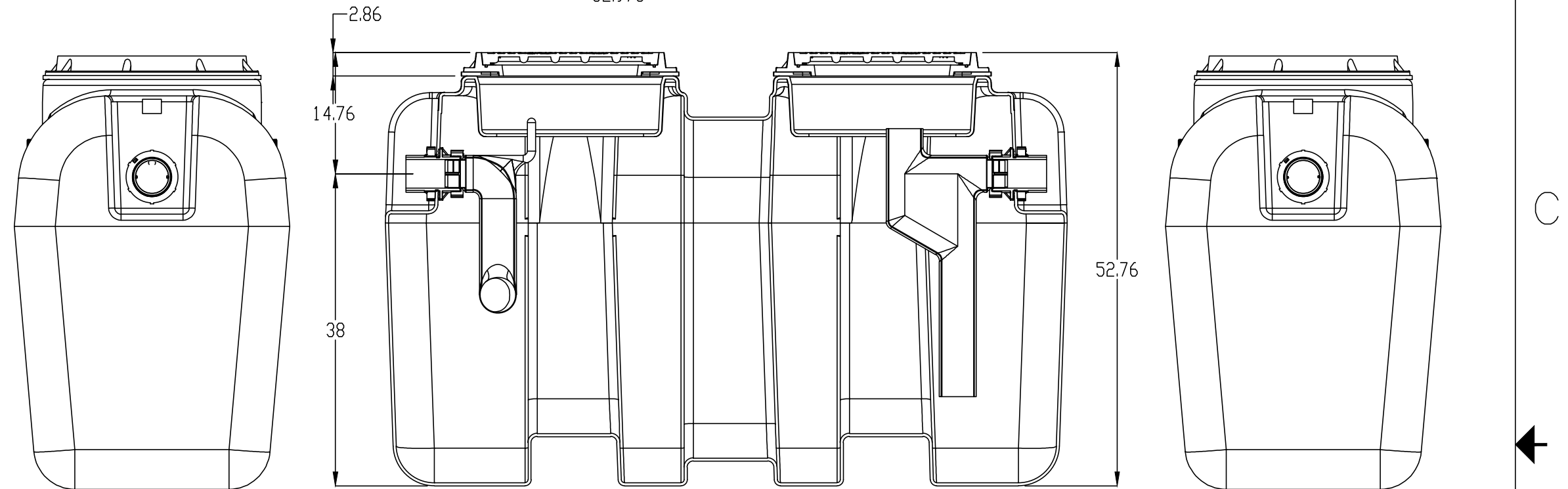
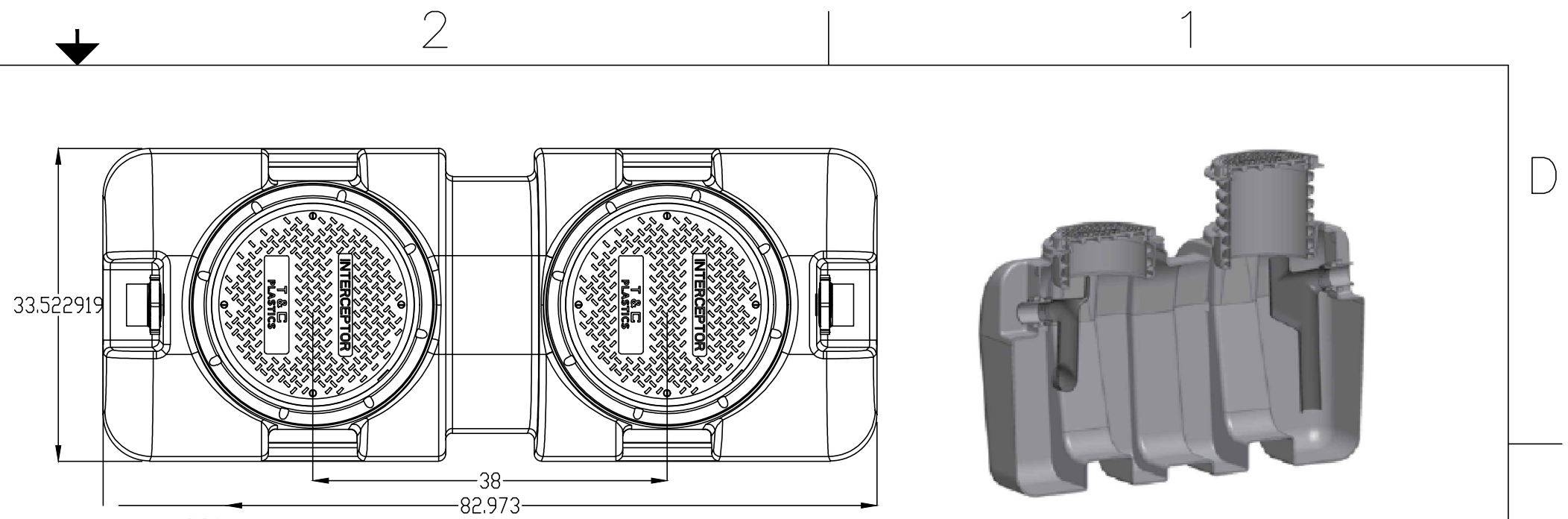
GI-XL-100

NOTES:

1. 4" No Hub inlet and outlet with ductile iron pickage H20 rated traffic cover standard.
2. Shipping weight: 275 lbs.
3. Operating temperature: 150° F
4. Capacities:
 - Liquid: 300 gal.(40 cu.ft.)
 - Grease: 1812 lbs. (246.7 gal.) @75GPM (Type D) (Miami-Dade DERM approved at 99% efficiency)
 - Grease: 2,016 lbs. (274.5 gal.) @100GPM (Type D) (Type C)
 - Grease: 1,515 lbs. (206.3 gal) @ 200GPM (Type D)
 - Solids: 135 gal.
5. Do not use for pressure applications.
6. Cover placement allows full access to tank for proper maintenance.
7. Vent required per local code.
8. Engineered inlet and outlet diffusers with inspection ports are removable to inspect/clean piping.
9. Designed for below-grade, above-grade, indoor or outdoor installations.
10. Meets PDI G-101 Standard when installed with external, vented flow control fitting.

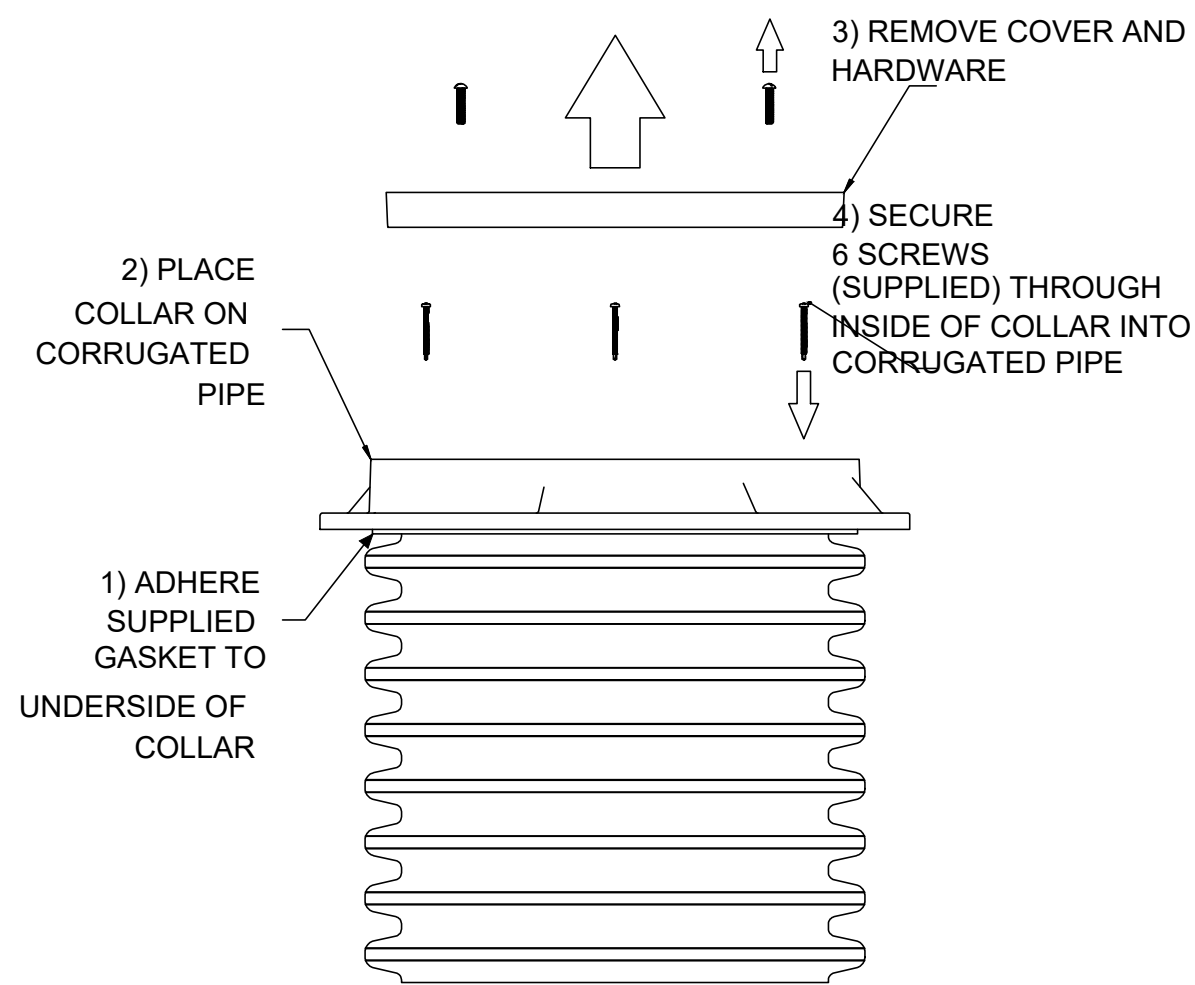
OPTIONS

XL-AK	ANCHOR KIT FOR XL-75 AND XL-100 UNITS
XL-EXT-44	LID EXTENSION UP TO 44" (EACH) - 1 REQUIRED FOR XL-50/75-2 FOR XL-100
XL-EXT-72	LID EXTENSION UP TO 72" (EACH) - 1 REQUIRED FOR XL-50/75-2 FOR XL-100
INT-HLA	HIGH LEVEL ALARM AND FLOAT SWITCH (TO BE INSTALLED ON SITE)
XL-RPO	REMOTE PUMP OUT CONNECTION
XL-RPOK	REMOTE PUMP OUT KIT
SB-75	SEDIMENT BUCKET FOR XL-50/X-75
SB-100	SEDIMENT BUCKET FOR XL-100
XLV	VENT CONNECTION ON SIDE OR TOP (EACH)
F6	6" CONNECTIONS IN INTERCEPTOR
XL-SP	EXTERNAL SAMPLING PORT (INLINE OR OFF-SET) FOR XL & SS INTERCEPTORS
XL-T	FEMALE THREADED CONNECTIONS
CONTACT T&C FOR ADDITIONAL ACCESSORIES	

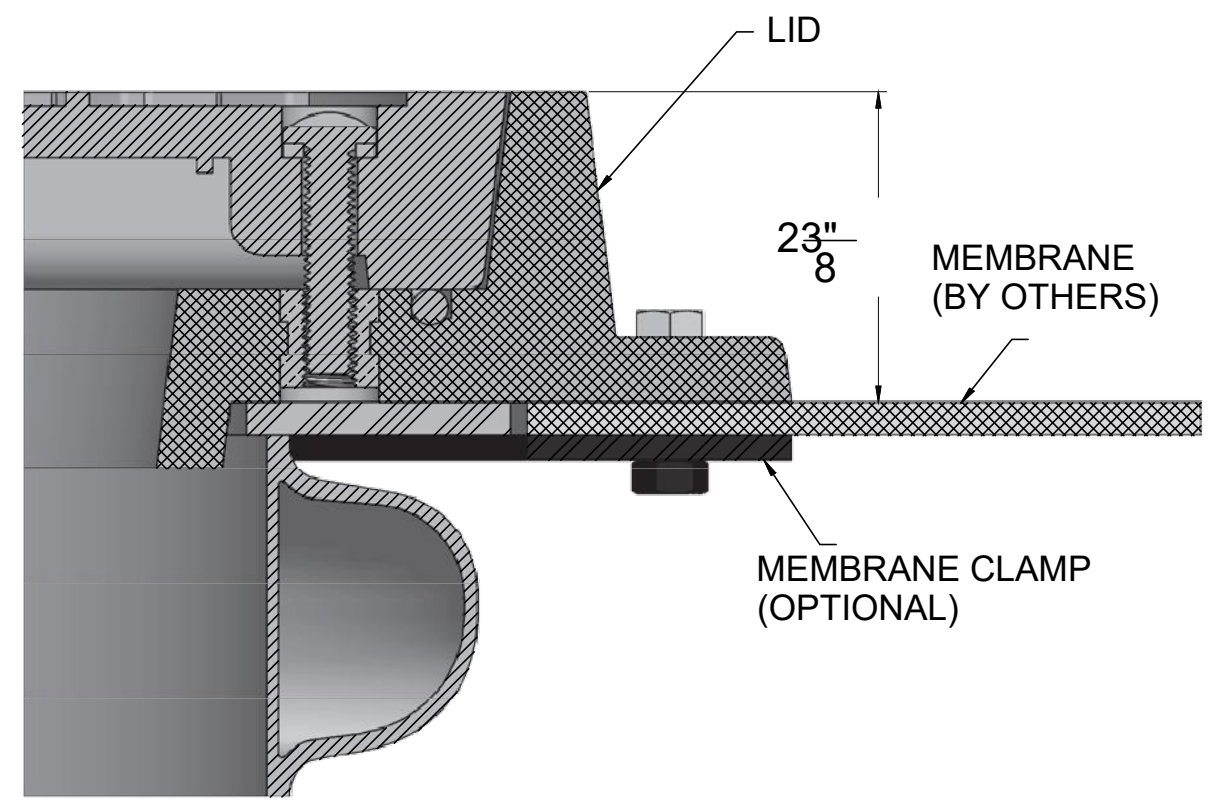


UNLESS STATED OTHERWISE DIMENSIONS ARE IN INCHES	MATERIAL: HDPE			TITLE: GI-XL-100 INTERCEPTOR		XL SERIES	REV:	T&C PLASTICS WWW.TANDCPLASTICS.COM 732-780-5300
	WEIGHT [lb]:		NAME	DATE	SHEET 1 OF 1		SIZE:	
	DO NOT SCALE DRAWING		DRAWN	DR	09/10/2022	SCALE: 1:2		
THE INFORMATION CONTAINED IN THIS DRAWING IS THE SOLE PROPERTY OF TOWN & COUNTRY PLASTICS LLC. ANY REPRODUCTION IN PART OR AS A WHOLE WITHOUT THE WRITTEN PERMISSION OF TOWN & PLASTICS LLC IS PROHIBITED.								

LID INSTALLATION DETAILS

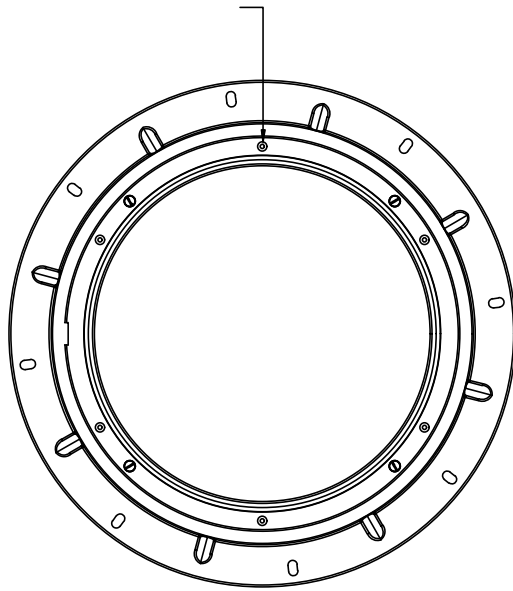


ANCHOR FLANGE AND MEMBRANE CLAMP DETAILS

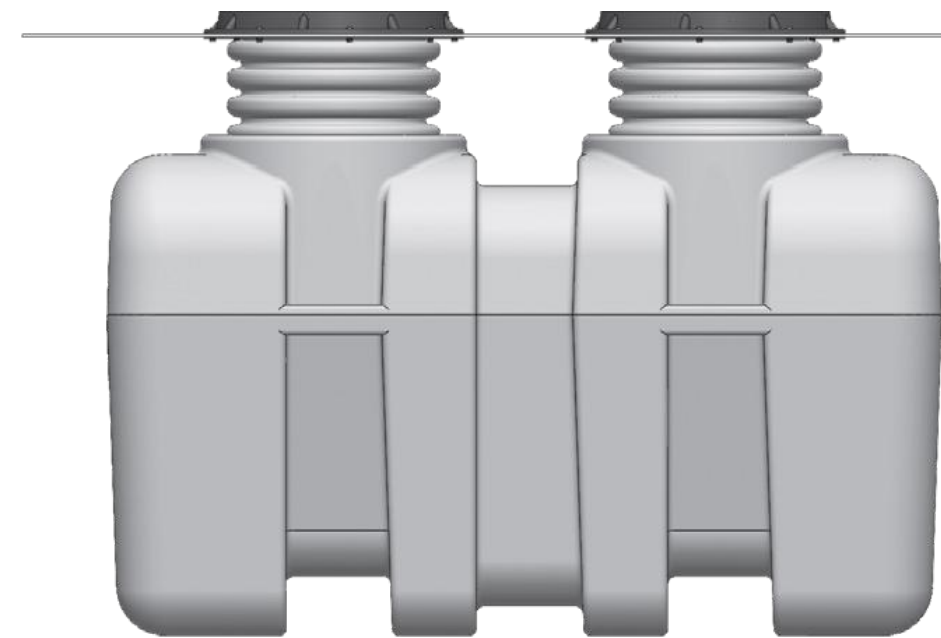
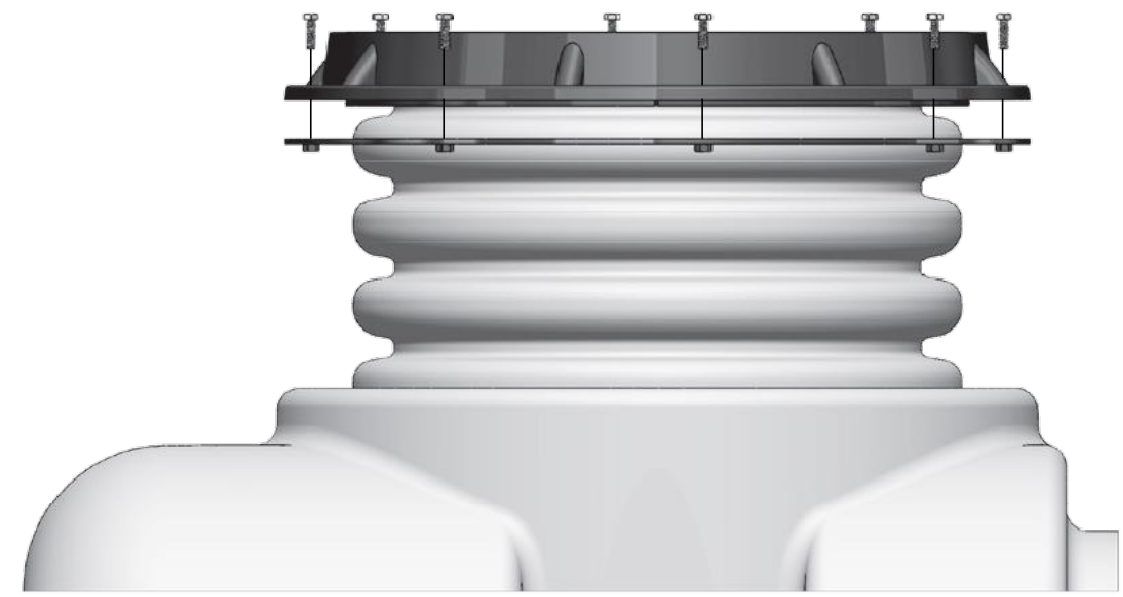
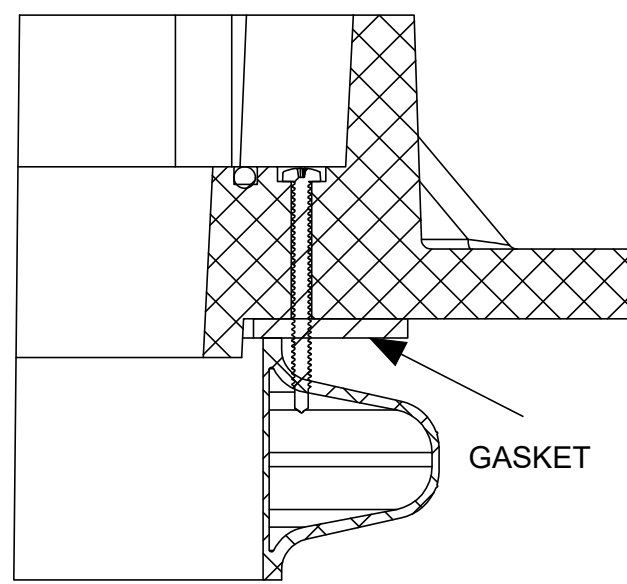


PLAN VIEW OF COLLAR

DRILLING POSITION FOR SCREWS WILL BE FOUND UNDER LID (6 HOLES)



CROSS SECTION VIEW OF STEP 4



UNLESS STATED OTHERWISE DIMENSIONS ARE IN INCHES	MATERIAL: HDPE		TITLE: XL & SS LID INSTALL		SERIES: INTERCEPTORS	REV:	 WWW.TANDCPLASTICS.COM 732-780-5300
	WEIGHT [lb]:	NAME: DRAWN DR	DATE: 10/18/2022		SHEET 1 OF 1	SIZE:	
	DO NOT SCALE DRAWING	CHECKED:			SCALE: 1:2		

THE INFORMATION CONTAINED IN THIS DRAWING IS THE SOLE PROPERTY OF TOWN & COUNTRY PLASTICS LLC. ANY REPRODUCTION IN PART OR AS A WHOLE WITHOUT THE WRITTEN PERMISSION OF TOWN & PLASTICS LLC IS PROHIBITED.