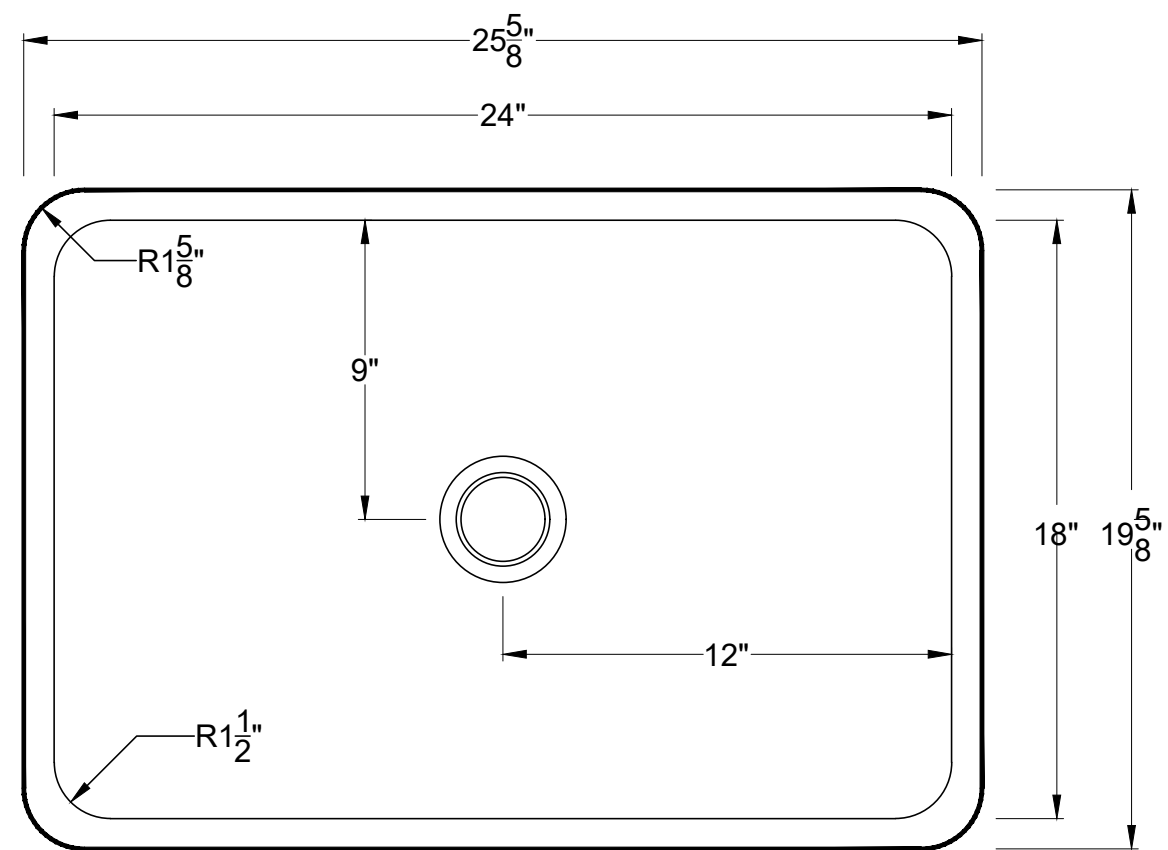
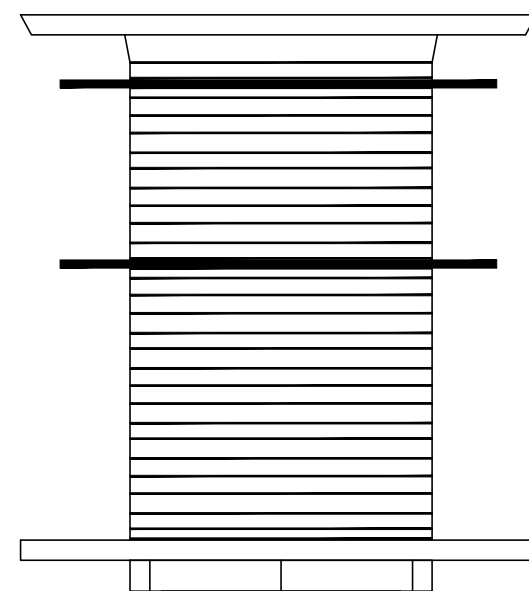
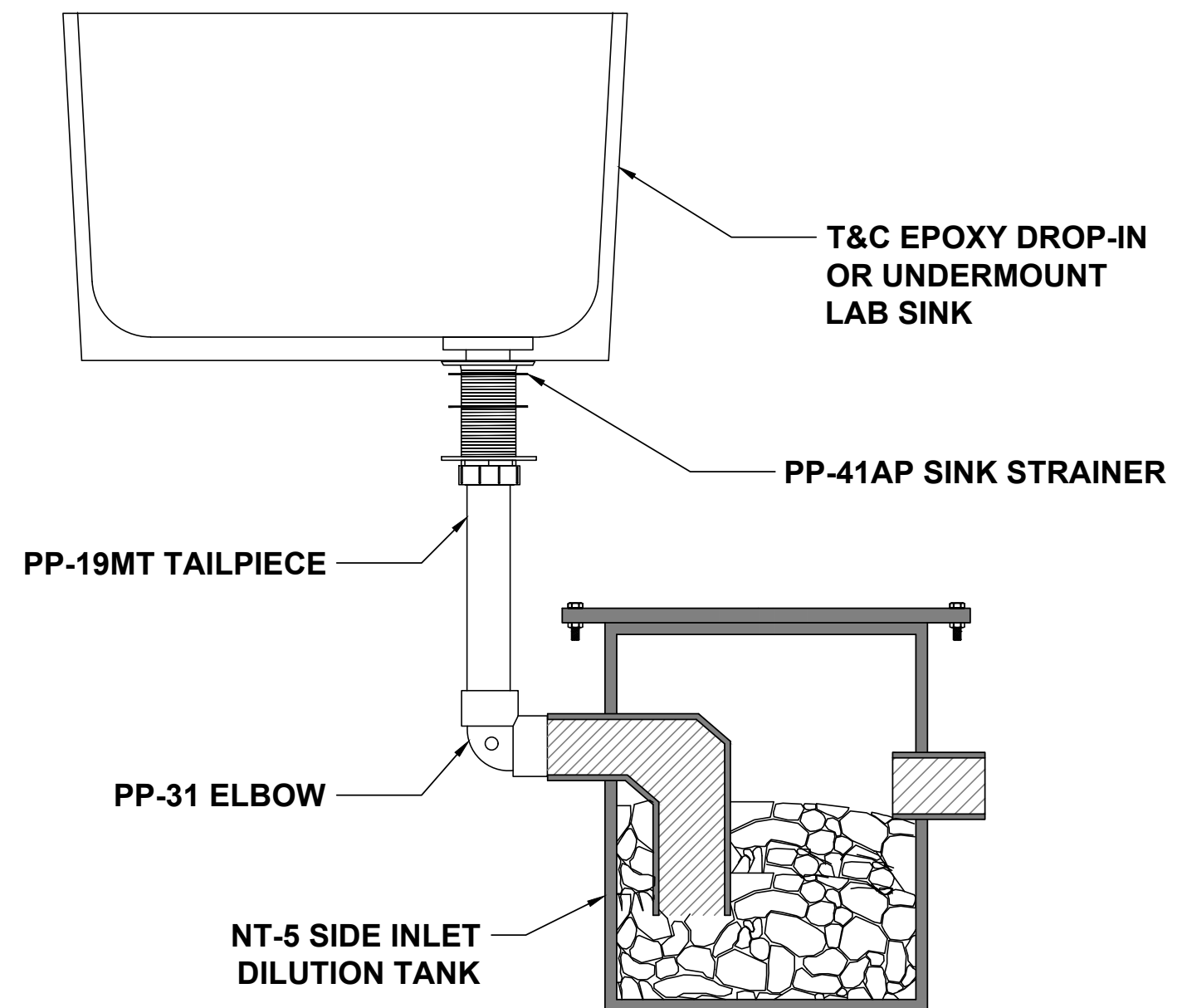


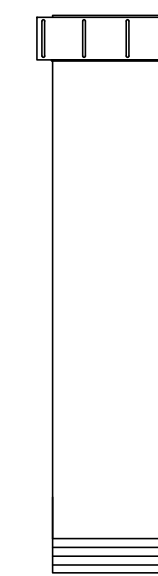
**SECTION VIEW**



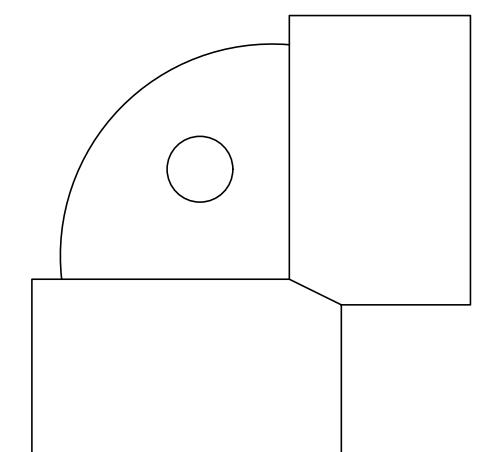
**TOP VIEW**



**PP-41AP**



**PP-19MT**



**PP-31**

NOTES:

UNLESS STATED OTHERWISE DIMENSIONS ARE IN INCHES

DO NOT SCALE DRAWING

MATERIAL:			
WEIGHT [lb]:			
	NAME	DATE	
DRAWN	DR	03/01/2023	
CHECKED			

TITLE:

**DROP IN SINKS**

**D-78C**

SHEET 1 OF 1

SCALE: N/A

REV:

SIZE:

**T&C PLASTICS**

WWW.TANDCPLASTICS.COM

732-780-5300

THE INFORMATION CONTAINED IN THIS DRAWING IS THE SOLE PROPERTY OF TOWN & COUNTRY PLASTICS LLC. ANY REPRODUCTION IN PART OR AS A WHOLE WITHOUT THE WRITTEN PERMISSION OF TOWN & PLASTICS LLC IS PROHIBITED.